

Code•Master™ 2 HID Factory Sealed Floodlights

Marine (Outside Type). Explosionproof

Integrally Ballasted. 150 W, 250 W, 400 W HPS; 175 W, 250 W, 400 W PSMH; 175 W, 250 W, 400 W MH. Mogul Base.

NEC:

Class 1, Division 1 and 2, Groups C, D
Marine Type Electric Fixtures
Outside Type (Salt Water)

CEC:

Class I, Division 1 and 2, Groups B, C, D
Class II, Division 1, Groups E, F, G
Class II, Division 2, Groups F, G
Class III
CSA 4X

Applications

- UL Listed for Marine Type Electric Fixtures Outside Type (Salt Water).
- Ideal in Class I, Division 1 and 2 installations in refineries, in pipeline transportation facilities, at drilling rigs and in production facilities on land and marine platforms.
- Class I, Division 1 areas include:
 - (1) enclosed derricks, mud tanks, desander-desilter, gas-operated control devices, oil-gas separation vessels, shale shakers and flowing or beam wells
 - (2) flowing or beam wells in open areas with cellar or below grade sump
 - (3) on refinery docks where tankers are loaded with hoses or loading arms
 - (4) in compressor buildings (open or enclosed) where methane gas is present
- Virtually all enclosed areas at drilling operations or refineries where ventilation is inadequate, or where a cellar or below grade sump exists, are Class I, Division 1.

Features

- Choice of mountings: (1) crossarm with degree indicator; (2) junction box for horizontal or vertical mount; and (3) swivel for pole mount (screws onto standard 2" pipe threads).
- Fixtures operate safely in high ambient temperatures. For example, in Class I areas the 150 W HPS unit operateSee page 1290 for classified area suitability.
- Arrangement of heat-producing components results in more efficient heat dissipation for cooler fixture operation.
- All threaded joints are flame-tight.
- Five threads are always fully engaged in an explosionproof manner.
- Factory sealed. External seals not required.
- Strategic location of lamp socket, in combination with the interior prism design of the glass globe, provides optimum light distribution and control.
- Heat- and impact-resistant globes have smooth dust-resistant exterior.
- Superior corrosion resistance, with epoxy powder coat finish.
- Ballasts operate at low temperatures – PSMH: -29 °C (-20 °F); HPS: -40 °C (-40 °F).

Standard Materials

- Ballast housing, guard and junction box, and pole mounts: copperfree (4/10 of 1% max.) aluminum
- Crossarm mount: malleable iron
- Trunnion: steel.
- High bay reflector: aluminum
- Standard dome, deep dome and 30° angle reflectors: fiberglass reinforced polyester
- Socket: porcelain
- Screw shell: nickel-plated phosphor bronze

Standard Finishes

- Ballast housing, guard, trunnion and mounting accessories: epoxy-clad finish. Powder coat baked finish, electrostatically applied for complete, uniform corrosion protection



Shown with Optional High Bay Reflector

Effective Protected area: 1.8 Square Feet

Options

- Fuses for field installation are ordered by catalog number from the fuse kit table
- Quartz Auxiliary Emergency Lamp for PSMH and HPS fixtures. Relay switch installed fixture. Add suffix **-E** to fixture catalog number.
- Hot Restrike Option available for 150 W HPS. Add suffix **-R**.
- Smart Starter. Add suffix **-S**

NEC/CEC Certifications and Compliances

- UL Standard: UL 1598, UL 844
- UL Listed: E10794
- CSA Standard: C22.2 No. 250, C22.2 No. 137
- CSA Certified: 025428

Code•Master™ 2 HID Factory Sealed Floodlights

Marine (Outside Type). Explosionproof

Integrally Ballasted. 150 W, 250 W, 400 W HPS; 175 W, 250 W, 400 W PSMH; 175 W, 250 W, 400 W MH. Mogul Base.

NEC:
 Class 1, Division 1 and 2, Groups C, D
 Marine Type Electric Fixtures
 Outside Type (Salt Water)

CEC:
 Class I, Division 1 and 2, Groups B, C, D
 Class II, Division 1, Groups E, F, G
 Class II, Division 2, Groups F, G
 Class III
 CSA 4X

Classified Area Suitability — Suitability includes use of reflector

| Lamp Type | Lamp Watts | Supply Wire °C (°F) | Ambient Temp °C (°F) | Class I, Division 1 and 2 With Globe or with Globe and Reflector UL/NEC/CEC Temp. Ident. No. | | | Class II, Division 1 and 2 With Globe or with Globe and Reflector CEC Temp. Ident. No. | |
|--------------------------|------------|---------------------|----------------------|--|------------|------------|--|------------|
| | | | | Nameplate Marking | NEC Groups | CEC Groups | Nameplate Marking | CEC Groups |
| High Pressure Sodium | 150 | 50 (122) | 40 (104) | T5 | C,D | B, C, D | T3A | E,F |
| | 150 | 75 (167) | 55 (131) | — | C,D | B, C, D | T3 | — |
| | 250 | 75 (167) | 40 (104) | T4 | C,D | B, C, D | — | — |
| | 250 | 75 (167) | 55 (131) | — | C,D | B, C, D | — | — |
| | 400 | 85 (185) | 40 (104) | T3A | C,D | B, C, D | — | — |
| Pulse Start Metal Halide | 175 | 75 (167) | 40 (104) | T3B | C,D | B, C, D | T3C | E,F,G |
| | 250 | 75 (167) | 40 (104) | T3B | C,D | B, C, D | T3A | E,F |
| | 400 | 75 (167) | 40 (104) | T3 | C,D | B, C, D | — | — |
| Metal Halide ① | 175 | 75 (167) | 40 (104) | T4 | — | B, C, D | T3C | E, F, G |
| | 250 | 75 (167) | 40 (104) | T4 | — | B, C, D | T3A | E, F |
| | 400 | 75 (167) | 40 (104) | T3C | — | B, C, D | — | — |

① Mercury vapor and metal halide luminaires are not available for purchase within the United States. Please check with your countries governing legislation regarding allowable lamp types before ordering.





Code•Master™ 2 HID Factory Sealed Floodlights

Marine (Outside Type). Explosionproof

Integrally Ballasted. 150 W, 250 W, 400 W HPS; 175 W, 250 W, 400 W PSMH. Mogul Base.

NEC:

Class 1, Division 1 and 2, Groups C, D
Marine Type Electric Fixtures
Outside Type (Salt Water)

| Fixture Unit | Lamp Watts | ANSI Lamp Type | | Catalog Number ①③ | |
|---|------------|----------------|-----------|-------------------|-----------------|
| | | HPS | PSMH | HPS | PSMH |
|  <p>Furnished with Trunnion 3/4" hub. (3/4 – 14 NPT)</p> | 150 | S55 | M102 | CFL150 | — |
| | 175 | — | M137/M152 | — | CFP175 |
| | 250 | S50 | M138/M153 | CFL250 | CFP250 |
| | 400 | S51 | M135/M155 | CFL400 | CFP400 |
|  <p>Fixture Unit with Junction Box for Horizontal or Vertical Mounting ② 3/4" fixture hub and two conduit openings (3/4 – 14 NPT). 30" Flexible Coupling connects to 3/4" fixture hub and to 1/2" junction box opening. Furnished with one 3/4" Close-up Plug. Has Locking Screw for horizontal adjustment.</p> | 150 | S55 | M102 | CFL150JB | — |
| | 175 | — | M137/M152 | — | CFP175JB |
| | 250 | S50 | M138/M153 | CFL250JB | CFP250JB |
| | 400 | S51 | M135/M155 | CFL400JB | CFP400JB |
|  <p>Fixture Unit with Pole-Top Mount (on 2" Threaded Pipe) ② 2" tapered threads (2 – 11-1/2 NPT). Locking Screw for horizontal adjustment. 30" Flexible Coupling connects to 3/4" fixture hub (3/4 – 14 NPT) and to 1/2" pole-top opening (1/2-14 NPT).</p> | 150 | S55 | M102 | CFL150SF | — |
| | 175 | — | M137/M152 | — | CFP175SF |
| | 250 | S50 | M138/M153 | CFL250SF | CFP250SF |
| | 400 | S51 | M135/M155 | CFL400SF | CFP400SF |
|  <p>Fixture Unit with Crossarm Mounting ② For mounting to flat surface. 180° horizontal adjustment with degree indicator. 30" Flexible Coupling connects to 3/4" fixture hub (3/4 – 14 NPT) and to any 1/2" opening (1/2 – 14 NPT).</p> | 150 | S55 | M102 | CFL150CA | — |
| | 175 | — | M137/M152 | — | CFP175CA |
| | 250 | S50 | M138/M153 | CFL250CA | CFP250CA |
| | 400 | S51 | M135/M155 | CFL400CA | CFP400CA |

① To order fixture with guard, add suffix **-G** before voltage suffix.

② Fixtures furnished with trunnion and bolts, flexible coupling and fittings, and mounting accessory. The trunnion provides vertical adjustment and the mounting accessory provides horizontal adjustment.

③ Add voltage suffix to end of the part number. See chart voltage suffix availability by fixture type.

| Lamp Type | Lamp Watts | Voltage Suffixes | | | | | | | | | | | | |
|-----------|------------|------------------|-----|-----|-----|-----|----|----|----|----|----|----|----|----|
| | | MT | 5MT | 480 | 226 | 236 | TT | CN | GP | XC | XQ | XK | XR | AM |
| HPS | 150 | X | | X | X | X | X | X | X | — | — | — | — | — |
| | 250 | X | X | X | — | X | — | — | — | X | — | — | — | |
| | 400 | X | X | X | — | — | X | X | — | X | X | X | X | |
| PSMH | 175 | X | — | X | — | — | — | — | — | — | — | — | X | |
| | 250 | X | X | X | — | — | X | — | — | — | X | — | — | |
| | 400 | X | X | X | — | — | X | — | — | — | X | — | — | |

Voltages:

MT - 120/208/240/277 V 60 HZ

5MT - 120/208/240/277/480 V 60 HZ

480 - 480 V, 60 HZ

226 - 220 V 60 HZ

236 - 230V 60 HZ

TT - 120/277/347 V 60 HZ

CN - 240/480 V 60 HZ

GP - 120/220 V 50 HZ

XC - 230 V 50 HZ

XQ - 120/230 V 50 HZ

XK - 220/240 V 50 HZ

XR - 380/415 V 50 HZ

AM - 127/220 V 60 HZ

Code•Master™ 2 HID Factory Sealed Floodlights


Marine (Outside Type). Explosionproof

Integrally Ballasted. 150 W, 250 W, 400 W HPS; 175 W, 250 W, 400 W PSMH; 175 W, 250 W, 400 W MH. Mogul Base.

CEC:
 Class I, Division 1 and 2, Groups B, C, D
 Class II, Division 1, Groups E, F, G
 Class II, Division 2, Groups F, G
 Class III
 CSA 4X

APPLETON™

HID/FLOODLIGHT: NEC/CEC EXPLOSIONPROOF

| | Lamp Watts | ANSI Lamp Type | | | Catalog Number ①③ | | |
|---|------------|----------------|-----------|---------|-------------------|---------------|---------------|
| | | HPS | PSMH | MH | HPS | PSMH | MH |
| Fixture Unit | | | | | | | |
| Furnished with Trunion 3/4" hub. (3/4 – 14 NPT) | | | | | | | |
|  | 150 | S55 | M102 | — | CFL150 | — | — |
| | 175 | — | M137/M152 | M57/H39 | — | CFP175 | CFH175 |
| | 250 | S50 | M138/M153 | M58/H37 | CFL250 | CFP250 | CFH250 |
| | 400 | S51 | M135/M155 | M59/H33 | CFL400 | CFP400 | CFH400 |

Fixture Unit with Junction Box for Horizontal or Vertical Mounting ②



3/4" fixture hub and two conduit openings (3/4 – 14 NPT). 30" Flexible Coupling connects to 3/4" fixture hub and to 1/2" junction box opening. Furnished with one 3/4" Close-up Plug. Has Locking Screw for horizontal adjustment.

| | | | | | | | |
|--|-----|-----|-----------|---------|-----------------|-----------------|-----------------|
| | 150 | S55 | M102 | — | CFL150JB | — | — |
| | 175 | — | M137/M152 | M57/H39 | — | CFP175JB | CFH175JB |
| | 250 | S50 | M138/M153 | M58/H37 | CFL250JB | CFP250JB | CFH250JB |
| | 400 | S51 | M135/M155 | M59/H33 | CFL400JB | CFP400JB | CFH400JB |

Fixture Unit with Pole-Top Mount (on 2" Threaded Pipe) ②



2" tapered threads (2 – 11-1/2 NPT). Locking Screw for horizontal adjustment. 30" Flexible Coupling connects to 3/4" fixture hub (3/4 – 14 NPT) and to 1/2" pole-top opening (1/2-14 NPT).

| | | | | | | | |
|--|-----|-----|-----------|---------|-----------------|-----------------|-----------------|
| | 150 | S55 | M102 | — | CFL150SF | — | — |
| | 175 | — | M137/M152 | M57/H39 | — | CFP175SF | CFH175SF |
| | 250 | S50 | M138/M153 | M58/H37 | CFL250SF | CFP250SF | CFH250SF |
| | 400 | S51 | M135/M155 | M59/H33 | CFL400SF | CFP400SF | CFH400SF |

Fixture Unit with Crossarm Mounting ②



For mounting to flat surface. 180° horizontal adjustment with degree indicator. 30" Flexible Coupling connects to 3/4" fixture hub (3/4 – 14 NPT) and to any 1/2" opening (1/2 – 14 NPT).

| | | | | | | | |
|--|-----|-----|-----------|---------|-----------------|-----------------|-----------------|
| | 150 | S55 | M102 | — | CFL150CA | — | — |
| | 175 | — | M137/M152 | M57/H39 | — | CFP175CA | CFH175CA |
| | 250 | S50 | M138/M153 | M58/H37 | CFL250CA | CFP250CA | CFH250CA |
| | 400 | S51 | M135/M155 | M59/H33 | CFL400CA | CFP400CA | CFH400CA |

① To order fixture with guard, add suffix **-G** before voltage suffix.

② Fixtures furnished with trunion and bolts, flexible coupling and fittings, and mounting accessory. The trunion provides vertical adjustment and the mounting accessory provides horizontal adjustment.

③ Add voltage suffix to end of the part number. See chart voltage suffix availability by fixture type.

| Lamp Type | Lamp Watts | MT | TT | C2 | Voltage Suffixes | | | |
|-----------|------------|----|----|----|------------------|----|----|----|
| | | | | | C3 | C6 | C7 | XP |
| HPS | 150 | X | X | X | X | X | X | X |
| | 250 | X | X | X | X | X | X | X |
| | 400 | X | X | X | X | X | X | X |
| MH | 175 | X | X | X | X | X | X | X |
| | 250 | X | X | X | X | X | X | X |
| | 400 | X | X | X | X | X | X | X |
| PSMH | 175 | X | X | — | — | — | — | — |
| | 250 | X | X | — | — | — | — | — |
| | 400 | X | X | — | — | — | — | — |

Voltages:

MT - 120-208 V 60 HZ

TT - 120/277/347 V 60 HZ

C2 - 208V 60 HZ

C3 - 240 V 60 HZ

C6 - 480 V 60 HZ

C7 - 600 V 60 HZ

XP - 120, 220-240 V 50 HZ

Code•Master™ 2 HID Factory Sealed Floodlights

Marine (Outside Type). Explosionproof








Integrally Ballasted. 150 W, 250 W, 400 W HPS; 175 W, 250 W, 400 W PSMH; 175 W, 250 W, 400 W MH. Mogul Base.

NEC:

Class 1, Division 1 and 2, Groups C, D
Marine Type Electric Fixtures
Outside Type (Salt Water)

CEC:

Class I, Division 1 and 2, Groups B, C, D
Class II, Division 1, Groups E, F, G
Class II, Division 2, Groups F, G
Class III
CSA 4X

| | Description | Catalog Number |
|--|--|--|
|  | Box has 1/2" opening for threading to Flexible Coupling, and two 3/4" conduit openings (3/4 – 14NPT) and is furnished with one 3/4" close-up plug. Locking screw for horizontal adjustment. Trunnion bolts furnished. Aluminum, gray epoxy finish. | AF-JB |
|  | Threads onto 2" pipe with tapered threads (2-11 – 1/2 NPT). Includes floodlight trunnion bolts. Locking screw for horizontal floodlight adjustment. Aluminum, gray epoxy finish. | AF-SF |
|  | Has 180° horizontal adjustment – degree-marked. Facilitates mounting floodlight to crossarm or other flat surface, or to G-AM-8-WB Pole/Wall Mounting Bracket (see photo below). Includes floodlight trunnion bolts. Malleable iron, plated, chromate sealed, architectural bronze EPOXY finish. | G-AM-8-CA |
|  <p>Standard and Deep Dome 30° Angle</p> | Standard Dome Deep Dome ① 30° Angle | CMR-4ST CMR-4DD CMR-4AN |
|  | | CMR-4HB |
|  | Connects to 3/4" Fixture Unit hub (3/4 – 14 NPT) and to 1/2" Junction Box or Pole-Top Accessory opening (1/2 – 14 NPT). | AF-EXL |
| <p>Quartz Emergency Lamp for Pulse Start Metal Halide and High Pressure Sodium Fixtures Fixtures can be supplied with a socket to accept a 150 W or 250 W, 120 V quartz lamp. This D.C. bayonet base socket is in addition to the standard lamp socket, independent of the lighting fixture voltage.</p> <p style="text-align: right;">Add Suffix-E</p> | | |
| <p>HPS Smart Hot Restrike Smart Hot Restrike will immediately restrike an HPS lamp when power is restored after a momentary power interruption. The smart function removes the hot restrike ignitor from the circuit if the lamp burns out or is removed from the socket. Eliminates starter failures caused by prolonged operation with cycling or failing lamps and simplifies finding their location, reducing maintenance and repair costs.</p> <p style="text-align: right;">Optional for 150 W fixtures (HPS only) Add Suffix -SR</p> | | |
| <p>HPS Hot Restrike Restrikes HPS lamp immediately when power is restored after a momentary power interruption.</p> <p style="text-align: right;">Optional for 150 W fixtures (HPS only) Add Suffix -R</p> | | |
| <p>HPS Smart Starter Smart Starter for HPS and PSMH fixtures. Incorporates a 1-1/2-minute timer and performs as a conventional starter to normally start lamp. Removes itself from circuit if lamp burns out or is removed from socket. Eliminates starter failures caused by prolonged operation with cycling or failing lamps and simplifies finding their location, reducing maintenance and repair costs.</p> <p style="text-align: right;">Optional for all fixture watts Add Suffix -S</p>  <p>G-AM-8-CA Crossarm Mounting Bracket Shown with G-AM-8-WB Pipe/Wall Mounting Bracket. The G-AM-8-WB bracket is not furnished with fixtures.</p> | | |

① Fixtures when used with Deep Dome Reflectors are NOT UL Listed.

Code•Master™ 2 HID Factory Sealed Floodlights

Marine (Outside Type). Explosionproof

Integrally Ballasted. 250 W, 400 W HPS; 150 W, 175 W, 250 W, 400 W PSMH; 175 W, 250 W, 400 W MH. Mogul Base.

NEC:
Class 1, Division 1 and 2, Groups C, D
Marine Type Electric Fixtures
Outside Type (Salt Water)

CEC:
Class I, Division 1 and 2, Groups B, C, D
Class II, Division 1, Groups E, F, G
Class II, Division 2, Groups F, G
Class III
CSA 4X

| Lamp | Watts | Volts | High Pressure Sodium ① | | Ballast Amps Pulse Start Metal Halide Super CWA | | Metal Halide CWA | | Fuse Quantity Required | Fuse Kit Catalog Number | | |
|------|-------|-------|------------------------|-----------|---|-----------|------------------|-----------|------------------------|-------------------------|-------|-------|
| | | | Start | Operating | Start | Operating | Start | Operating | | HPS | PSMH | MH ② |
| 150 | 120 | | 2.00 | 1.70 | — | — | — | — | 1 | CF-10 | — | — |
| | 208 | | 1.15 | 0.95 | — | — | — | — | 2 | CF-5 | — | — |
| | 240 | | 1.00 | 0.85 | — | — | — | — | 2 | CF-5 | — | — |
| | 277 | | 0.88 | 0.72 | — | — | — | — | 1 | CF-5 | — | — |
| | 347 | | 0.52 | 0.56 | — | — | — | — | 1 | CF-5 | — | — |
| | 480 | | 0.50 | 0.47 | — | — | — | — | 2 | CF-3 | — | — |
| 175 | 120 | | — | — | 0.80 | 1.80 | 1.30 | 1.80 | 1 | — | CF-5 | CF-5 |
| | 208 | | — | — | 0.50 | 1.00 | 0.75 | 1.10 | 2 | — | CF-3 | CF-3 |
| | 240 | | — | — | 0.40 | 0.90 | 0.65 | 0.90 | 2 | — | CF-3 | CF-3 |
| | 277 | | — | — | 0.40 | 0.80 | 0.55 | 0.80 | 1 | — | CF-2 | CF-2 |
| | 347 | | — | — | 0.25 | 0.65 | 0.50 | 0.65 | 1 | — | CF-2 | CF-2 |
| | 480 | | — | — | 0.15 | 0.45 | — | — | 2 | — | CF-3 | — |
| 250 | 120 | | 2.00 | 2.80 | 2.00 | 2.30 | 1.20 | 2.60 | 1 | CF-8 | CF-10 | CF-8 |
| | 208 | | 1.20 | 1.50 | 1.10 | 1.40 | 0.65 | 1.50 | 2 | CF-5 | CF-6 | CF-5 |
| | 240 | | 1.00 | 1.30 | 1.00 | 1.20 | 0.60 | 1.30 | 2 | CF-5 | CF-6 | CF-5 |
| | 277 | | 0.85 | 1.10 | 0.80 | 1.00 | 0.50 | 1.12 | 1 | CF-5 | CF-5 | CF-3 |
| | 347 | | 0.60 | 0.93 | 0.62 | 0.90 | 0.80 | 0.90 | 1 | CF-5 | CF-3 | CF-3 |
| | 480 | | 0.40 | 0.65 | 0.30 | 0.60 | — | — | 2 | CF-2 | CF-3 | — |
| 400 | 120 | | 3.30 | 3.80 | 3.10 | 3.70 | 3.25 | 4.00 | 1 | CF-15 | CF-12 | CF-10 |
| | 208 | | 1.80 | 2.20 | 1.70 | 2.10 | 1.90 | 2.30 | 2 | CF-8 | CF-6 | CF-8 |
| | 240 | | 1.60 | 1.90 | 1.50 | 1.90 | 1.65 | 2.00 | 2 | CF-8 | CF-6 | CF-5 |
| | 277 | | 1.40 | 1.70 | 1.30 | 1.60 | 1.40 | 1.75 | 1 | CF-5 | CF-5 | CF-5 |
| | 347 | | 1.00 | 1.32 | 1.10 | 1.35 | 1.20 | 1.40 | 1 | CF-5 | CF-5 | CF-5 |
| | 480 | | 0.80 | 1.00 | 0.80 | 0.95 | — | — | 2 | CF-5 | CF-3 | — |

Fuse Kit includes fuse, fuse holder and necessary hardware for field installation. Mounts easily in ballast body with one screw. Order one fuse for 120 and 277 V, and 2 fuses for 208, 240 and 480 V. CF-2 = 2 amp; CF-3 = 3 amp; CF-5 = 5 amp; CF-6 = 6 amp; CF-8 = 8 amp; CF-10 = 10 amp; CF-12 = 12 amp

① 50 through 150 W HPS have H.P.F. High Reactance ballasts; 250 W and 400 W HPS have CWA ballasts.

② Mercury vapor and metal halide luminaires are not available for purchase within the United States. Please check with your countries governing legislation regarding allowable lamp types before ordering.

Code•Master™ 2 HID Factory Sealed Floodlights

Marine (Outside Type). Explosionproof

Integrally Ballasted. 150 W, 250 W, 400 W HPS; 175 W, 250 W, 400 W PSMH; 175 W, 250 W, 400 W MH. Mogul Base.

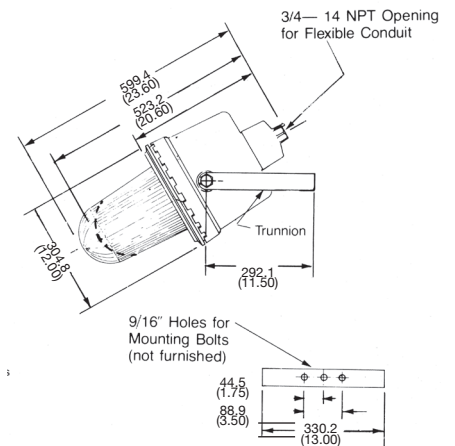
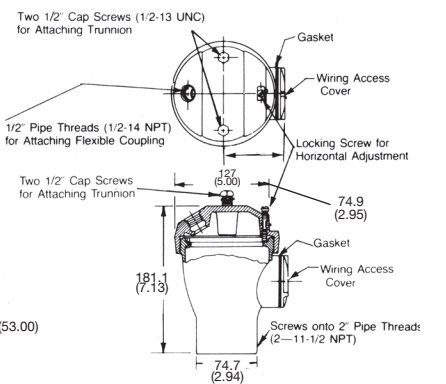
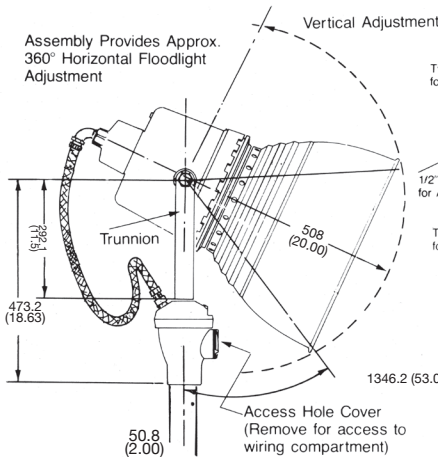
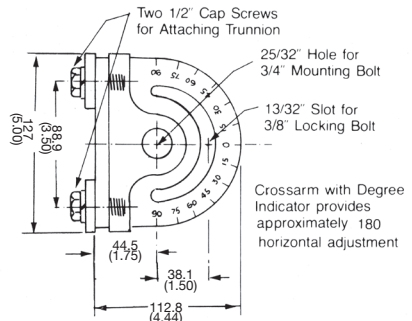
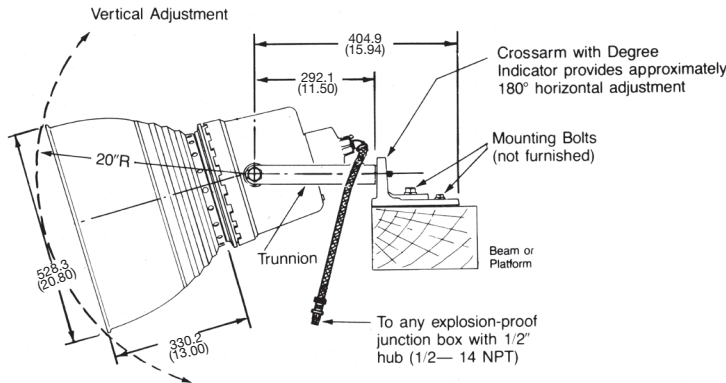
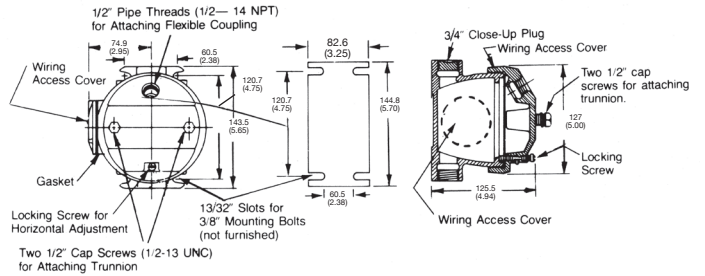
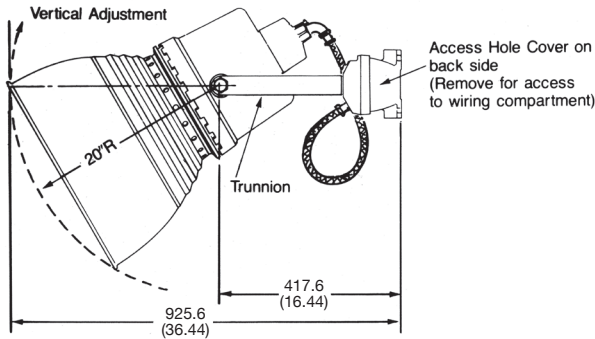
NEC:

Class 1, Division 1 and 2, Groups C, D
 Marine Type Electric Fixtures
 Outside Type (Salt Water)

CEC:

Class I, Division 1 and 2, Groups B, C, D
 Class II, Division 1, Groups E, F, G
 Class II, Division 2, Groups F, G
 Class III
 CSA 4X

Dimensions in Millimeters (Inches)



Weights kg (lb)

| 150 W | 175 W | 250 W | 320 W | 350 W | 400 W |
|------------|------------|------------|------------|------------|------------|
| 21 (46.30) | 21 (46.30) | 32 (70.55) | 32 (70.55) | 32 (70.55) | 32 (70.55) |

Code•Master™ 2 HID Factory Sealed Floodlights

Marine (Outside Type). Explosionproof

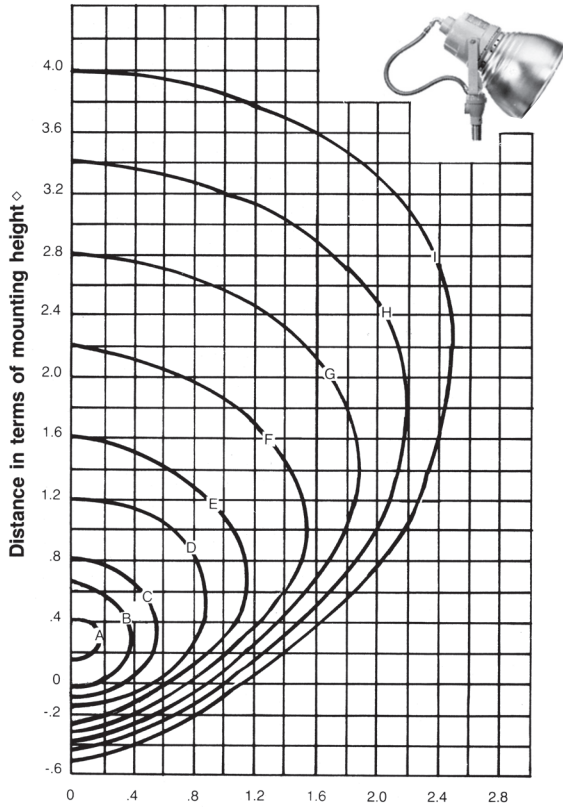
Typical Footcandle Values for Iso-Footcandle Curves. Data Based on 400 W HPS (50,000 Lumens) Clear Mogul Base Lamps.

NEC:
 Class 1, Division 1 and 2, Groups C, D
 Marine Type Electric Fixtures
 Outside Type (Salt Water)

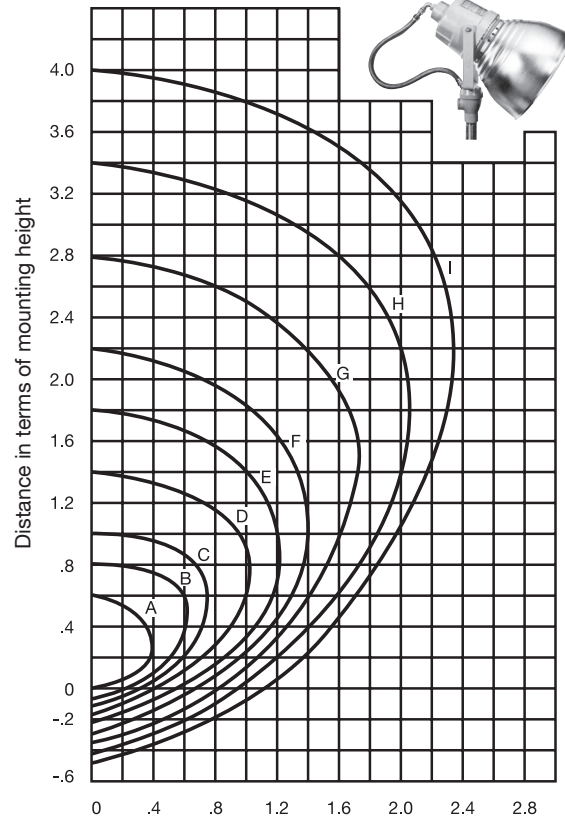
CEC:
 Class I, Division 1 and 2, Groups B, C, D
 Class II, Division 1, Groups E, F, G
 Class II, Division 2, Groups F, G
 Class III
 CSA 4X

Photometric Data

400 W HPS Floodlight at 45° Angle with High Bay Reflector ①

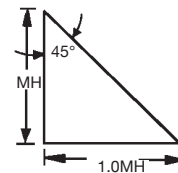
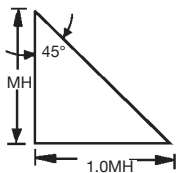


400W MH Floodlight at 45° Angle with High Bay Reflector



| Mounting Height (feet) | FOOTCANDLE VALUES FOR ISO-FOOTCANDLE CURVES | | | | | | | | |
|------------------------|---|-------|-------|-------|-------|------|------|------|------|
| | A | B | C | D | E | F | G | H | I |
| 15 | 52.52 | 43.34 | 31.00 | 17.05 | 10.23 | 4.77 | 2.43 | 1.36 | 0.84 |
| 20 | 29.54 | 24.38 | 17.44 | 9.59 | 5.75 | 2.68 | 1.37 | 0.77 | 0.47 |
| 25 | 18.91 | 15.60 | 11.16 | 6.14 | 3.68 | 1.72 | 0.87 | 0.49 | 0.30 |
| 30 | 13.13 | 10.84 | 7.75 | 4.26 | 2.56 | 1.19 | 0.61 | 0.34 | 0.31 |
| 35 | 9.65 | 7.96 | 5.69 | 3.13 | 1.88 | 0.88 | 0.45 | 0.25 | 0.15 |
| 40 | 7.39 | 6.10 | 4.36 | 2.40 | 1.44 | 0.67 | 0.34 | 0.19 | 0.12 |

| Mounting Height (feet) | FOOTCANDLE VALUES FOR ISO-FOOTCANDLE CURVES | | | | | | | | |
|------------------------|---|-------|-------|------|------|------|------|------|-----|
| | A | B | C | D | E | F | G | H | I |
| 15 | 33.97 | 22.10 | 16.12 | 9.69 | 6.40 | 4.12 | 2.13 | 1.13 | .67 |
| 20 | 19.11 | 12.43 | 9.07 | 5.45 | 3.60 | 2.31 | 1.20 | .64 | .38 |
| 25 | 12.23 | 7.96 | 5.80 | 3.49 | 2.30 | 1.48 | .77 | .41 | .24 |
| 30 | 8.49 | 5.52 | 4.03 | 2.42 | 1.60 | 1.03 | .53 | .28 | .17 |
| 35 | 6.24 | 4.06 | 2.96 | 1.78 | 1.18 | .76 | .39 | .21 | .12 |
| 40 | 4.78 | 3.11 | 2.27 | 1.36 | .90 | .58 | .30 | .16 | .10 |



① For 250 Watt HPS Clear, 30,000 Lumen lamp, multiply all FTC values by 0.60.